

three-piece, »multifix« series

Three-piece service units consisting of a reversible diaphragm pressure regulator, independent of inlet pressure, with self-relieving design, centrifugal separator and proportional lubricator.

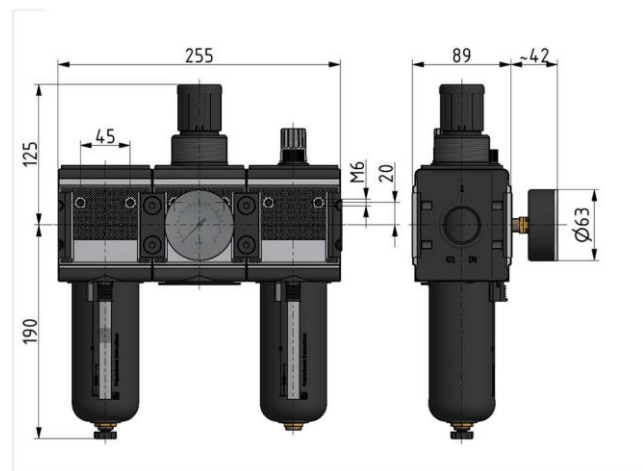
| | |
|---------------------------|---|
| Control range: | 0.5 - 10 bar |
| Medium temperature: | -10 to 60 °C |
| Ambient temperature: | -10 to 60 °C |
| Drain valve: | Semi-automatic |
| Spring bonnet: | POM-brass |
| Sealant: | NBR |
| Flow rate measurement: | At P ₁ = 10 bar, P ₂ = 6.3 bar and pressure drop Δp = 1 bar |
| Internal air consumption: | Depending on secondary pressure |

Service unit, 3-piece with polycarbonate bowl and bowl guard, PA sight dome

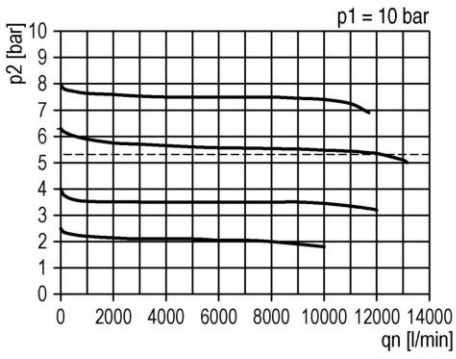
| Art. No. | Type No. | Thread | Max. input pressure bar | Housing | Filter rating µm | Flow rate l/min | Size | DN |
|----------|-------------|--------|----------------------------|--------------------|---------------------|--------------------|------|----|
| 133128 | FRL 45 S-10 | G 1 | 16 | Die-cast aluminium | 5 | 12000 | 4 | 25 |

Accessories / spare parts

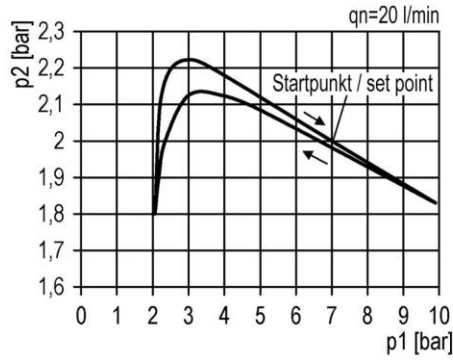
| Art. No. | Type No. | Description |
|----------|-------------|--|
| 135858 | ZW 45 | Mounting bracket with 2 screws |
| 135857 | KP 45 | Coupler pack for modular assembly of several devices |
| 135859 | KSS 45 F-HA | Polycarbonate bowl, Bowl guard with semi-automatic draining |
| 135860 | KSS 45 F-A | Polycarbonate bowl, Bowl guard with fully automatic draining |
| 135861 | MS 45 FS | Metal bowl with sight glass and semi-automatic draining |
| 135862 | MS 45 FS-A | Metal bowl with sight glass and fully automatic draining |
| 135863 | KSS 45 NS | Polycarbonate bowl, without drain valve |
| 135864 | MS 45 NS | Metal bowl, without drain valve |
| 100362 | 655.6.900 | Automatic drain valve |
| 135855 | 22.1845.4 | Set of wearing parts |
| 100144 | 6141.6.905 | Filter element 5 µm, Cellpor |
| 100392 | 1233.7.990 | Sight dome (polyamide PA) |
| 100393 | 1233.7.909 | Sight dome, metal |



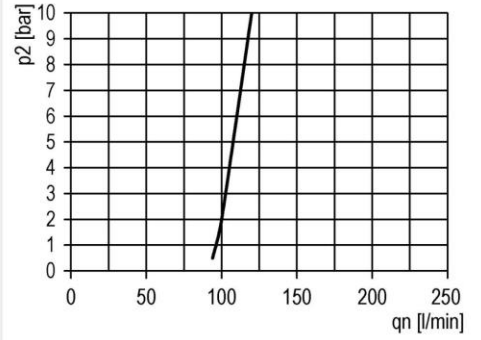
flow characteristic



pressure characteristic



lubricator operating limit



symbol

